

SAYS O



www.aysoregion121.org

AYS O 527-5811

Simi Valley Region 121

October 3, 2009

Volume 4

Commissioner's Comments

We start the fourth week of play for the U6, U10, U12 and U14 Divisions and the third week of play for the U8 Division. So far the volunteering and sportsmanship of everyone is very good. Not excellent but better than any previous year for Region 121. Through these hard times, many have taken an attitude to give the players a place to come and have fun and strive to be the best.

In this issue I have tried to answer different questions many of you have asked or wondered. Also the future direction of Region 121 is to use our website (aysoregion121.org) as the main communication and advertising tool. Due to the lack of time people are experiencing, phone messages and written newsletters will be phased out and replaced with website communication, emails and texting. These are communication tools to help keep things to the point and save time.

Again thank you for the volunteering and keep up the great attitude and support of all our players.

Sincerely,
Russell S. Platamone
Simi Valley Region 121 Regional Commissioner
Section 10 Area E Safety Director
Advanced Management Instructor

Cancellation of Games due to Smoke, Rain, or Lightning



Games can be cancelled if we have unhealthy air quality due to fires that can occur in Simi Valley or surrounding areas. Games can also be cancelled due to the amount of rain we receive prior or during games and if there are lightning strikes close to the fields. The decision to close the fields due to smoke, rain or lightning is determined by the regional commissioner, safety director, park district representative and/or authorized board member.

If these circumstances occur 24 to 48 hours prior to game day please check our hotline (805-527-5811) for cancellation information. If these circumstances occur the day of the games again please check our hotline to see if the games were cancelled for the day.

Our seasonal permits and contracts with the field use for our season allow only one make up day for the U6, U10, U12, and U14 divisions and no make up days for our U8 division. There are no partial refunds for these circumstances.



What Do I Pay For

Registration fees for Region 121 have remained at a very low cost compared to other athletic organizations and the declining economy. The fee we charge is \$90 per child with a discount for family members playing at the same time. This fee is used to pay for national fees, insurance, uniforms, pictures, field permits, field maintenance, lighted fields for practice, field equipment, trophies, portable toilets, field paint, newsletters, advertising for registration, printing, coach and referee training, coach training items, food and water for volunteers on game days, fuel to run the golf carts, repairs for damaged equipment and trash pick up. So when we get down to the cost per game per child, you are paying about \$3.00 per day. Not a bad deal, if you try to buy a hamburger at a fast food service it will cost you more.



Restrooms and Where Do You Hide Them

At the RSSP Fields, which is located at Stearns and Los Angeles Ave., we have replaced the old portable restrooms with new ones, which include four regular, and one handicapped stalls. We have also added a dual wash station to promote cleanliness. They are located inside and to your right in the large green storage area next to the parking lot and fields.

At Berylwood, the restrooms are located in the park north of our playing fields.

Injury Insurance Coverage For Players During Practice and Games and Registered Volunteers

The American Youth Soccer Organization carries a secondary insurance policy to assist in your personal insurance coverage for injuries to players and volunteers while they are participating in an authorized soccer event. If you do not have personal health/accident insurance then the AYSO Insurance becomes the primary coverage. In the event of an injury, an incident report must be filled out and submitted to the safety director or regional commissioner. You can receive an incident report from your coach.

The claim forms can be found by logging onto our website (aysoregion121.org) and clicking on the insurance link on the left side. This will take you to the National website and all the explanations of the insurance coverage. You must fill out the claim forms, have them signed by the regional commissioner and safety director and submit them within 90 days of the injury. Do not wait for the doctor or hospital bills to submit a claim.

When the player or volunteer has made a complete recovery, they must submit a medical release form, which you can receive from your coach, to return to playing or volunteering. That form must be submitted to the safety director for approval.

U8 Division Playing Fields at Berylwood

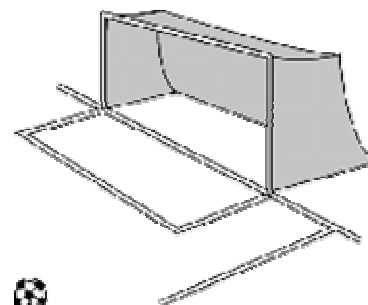
The playing field at Berylwood Elementary School is permitted for use to AYSO for game use only by the Simi Valley School District and Recreation and Park District. There are many reasons why these locations are picked including what is available; based on the amount of land needed, parking availability, restroom availability and the sharing of land for many different athletic organizations participating in the city limits. Land is very limited do to the many playing organizations.

The conditions of the field are not the best but the state of California is under a drought restriction and watering has been restricted. The school district and the union workers who maintain it handle the maintenance of cutting the grass. We cannot cut or water the grass.

At the beginning of the season we examined and placed the fields on the best area at that time. As players continue to play on the grass it will have a damaging effect especially without watering being done. We have no alternative at this time but Region 121 is working on new plans to improve these fields over time.

How Do I Set Up the Goal and Paint the Field

Setting up goals and painting the fields is described on our website (aysoregion121.org) under the players' link on the left side. We will improve on the location of these directions in the future. A quick hint on painting, take your time and lay down a lot of paint. It should take you about fifteen to twenty minutes to paint one half of a normal field.



AND NOW A WORD FROM OUR SPONSORSHIP CHAIR.....BOB LANG

Fundraisers are a great way for our families to participate and help provide a strong financial backstop to the Region. As you know, Region 121 is self-sustaining and takes care of itself without much financial help otherwise. The benefits are not direct per se, but are helping us build a strong foundation and balance sheet. The cost per child is rather low and we do not ask them to sell candy or anything else to supplement. As a result, our overall numbers have not dipped much even with competition from other soccer leagues and clubs.

As a board, we have spent a generous amount of funds this year upgrading your region. Fundraising is best done when you don't really need it, and our region is currently in a good financial position (that can always change, though). The dining out nights are a good way for all to passively contribute and keep our region strong for years to come (everyone has to eat, right?). In most cases, we're receiving 20% of the sales proceeds.

The most recent dining out at Rubio's was a tremendous success! Thanks to all who participated. We are going to give it another go at Tutu's next month and most likely Islands in November...these should be really great!

Thanks to all!

Bob

Team Sponsorships

Thank You

Bates General Contractor
Simi Valley Jiu Jitsu
Albertsons - Camarillo
Copware
Brian Wesley Architects, Inc
Climate Services, Inc
SV Police Officers Assn
Miyako Kadogawa
Playtime RV Center
Neilson Builders
NSI Solutions
Fune Sushi
A & D Automotive
In n' Out
Jon Goodman
Gold's Gym
Norman Nagel Orthodontics
Joann Poole
City Auto Body
Agoura Los Robles Podiatry Center
NA Financial Services
Mag HYTEC
401 Plans
Charles Campo
Togos Eatery
Dacorsi Renovations
Andy's Automotive
Biglin Architects
Motorsports Unlimited
Force Tactical
Onsite Design, Inc

Keep the
sponsorships
coming!

Team Parent:

Remember to pick up
pictures for your entire
team next Saturday,
October 10 at the
information tent at your
child's playing field.

Make-up Picture Day
is
October 17 at
Foundation Field

The Commissioner's First Volunteer Contest

This is the first, I hope, of many volunteer contests for the year. This is open to all parents but only a few will probably like this prize. The contest is for a 90-day free Gym Membership to Gold's Gym. It can be used at all five gyms, which are Simi Valley, Thousand Oaks, Hollywood, North Hollywood and Downtown LA. I have two memberships for RSSP Foundation and one membership for Berylwood. Value is over \$150.00 each.

You must sign up for either field prior to Friday October 9th with our Volunteer Director Jennifer Lang. A maximum of 25 volunteers per field will be accepted. Email Jennifer at jenincal@aol.com

Rules:

1. Date to volunteer is October 10th.
2. Volunteers must be over the age of 18 years and have a child playing in our AYSO program.
3. Must complete a full day of volunteering at either RSSP Foundation hours are: 6:30am to 5pm.
or Berylwood Elementary hours are: 6:30am to 3pm.
4. Fill out a raffle ticket with your name on it.
5. Awards will be presented on October 17th.
6. In addition every volunteer will receive a \$5.00 gift card to Starbucks awarded on October 17th.
7. Every volunteer will be able to meet the people who help run Region 121 and ask questions of board members.
8. Every volunteer will be able to meet and ask questions of our talented referee staff. (available only at RSSP Foundation field)

Field Monitors Are Very Important For The Safety Of Our Children

The mystery of field monitoring. Not a lot. You can pick up an orange vest and radio at the information tent. You walk around the different fields monitoring the attitudes of the coaches, parents and spectators. If you hear any of these people yelling bad things to the referees and/or players you just report the situation to a board member or referee at the information tent. If you observe anyone or anything that is questionable bring it up to a board member. Examples would be holes on the field of play, broken equipment, overflowing trash cans or missing equipment. As for people, anyone just walking around and they don't seem to cheer or interact with a child or team, report to a board member.

Field monitors are extremely important not just to keep everyone in accordance with our rules and regulations but also to show a presence to outside individuals to stay away from our children. This is the best way to send our message to the criminals who prey on our children that we are looking for them no matter where they might try to hide in wait.



GAME STATS



U10 GIRLS						
Team #	Team Name	Coach	Wins	Ties	Losses	Points
8	Sweet N Sours	McKay	3	0	0	9
12	Blue Vipers	Lacy	3	0	0	9
1	Yellow Screaming Kickers	Pitassi	2	1	0	7
7	Lavender Leopards	Robles	2	0	1	6
11	Purple Ninja Bunnies	Montgomery	2	0	1	6
13	The Sliders	Mehr	2	0	1	6
14	The Highlighters	Crawford	1	1	1	4
3	Pink Fuschia	Czach	1	0	2	3
4	Orange Crush	Grzywacz	1	0	2	3
6	Pink Flares	Ma	1	0	2	3
9	Sour Apples	Michelsen	1	0	2	3
2	Pop Rocks	DaCorisi	0	2	1	2
5	Golden Crystals	Berger	0	0	3	0
10	Turquoise Tornados	Aussem	0	0	3	0

U12 BOYS						
Team #	Team Name	Coach	Wins	Ties	Losses	Points
6	Strikers	Czach	3	0	0	9
8	Manchester United	Pugliese	2	0	1	6
2	Vipers	Beshai	1	1	1	4
4	Thunderbirds	Eisenberg	1	1	1	4
7	The Other Team	Kaya	1	1	1	4
3	Hawks	Johnston	1	0	2	3
5	Orange Peels	Muio	1	0	2	3
1	Silver Surfers	Colln	0	1	2	1

U14 GIRLS						
Team #	Team Name	Coach	Wins	Ties	Losses	Points
1	Trouble	Enos	2	1	0	7
2	Cobras	Hendricks	2	0	1	6
6	Strikers	Steffon	2	0	1	6
4	Chaos	Dion	1	1	1	4
3	Piranhas	Rodriguez	1	0	2	3
5	Bluez Cluez	Borquez	0	0	3	0

U10 BOYS						
Team #	Team Name	Coach	Wins	Ties	Losses	Points
7	Galaxy	Garcia	3	0	0	9
11	Silver Bullets	Enos	3	0	0	9
10	Green Dynamite	Goodwin	2	1	0	7
1	Blue Thunder	Czach	2	0	1	6
3	Cobras	Platt	2	0	1	6
9	Tigers	Hardy	2	0	1	6
6	Red Gladiators	Corugedo	1	0	2	3
8	Green Goblins	Barlow	1	0	2	3
12	Golden Dragons	Lewis	1	0	2	3
5	The Bolts	Nelson	0	1	2	1
2	Blue Lightning	Buenaventura	0	0	3	0
4	The Strikers	Missoul	0	0	3	0

U12 GIRLS						
Team #	Team Name	Coach	Wins	Ties	Losses	Points
6	Bad News Babes	Santos	2	1	0	7
8	The Fast and the Furious	Redding	2	1	0	7
2	Firecrackers	Montgomery	2	0	1	6
4	Lavender Lightning	Barrard	2	0	1	6
9	Think Pink	Martin	2	0	1	6
7	Jr. Mints	Slack	1	1	1	4
10	Netflicks	Nilsen	1	1	1	4
1	Purple Flames	Lang	0	1	2	1
3	Elemonaders	Kocis	0	1	2	1
5	Sandstorm	Kohler	0	0	3	0

U14 BOYS						
Team #	Team Name	Coach	Wins	Ties	Losses	Points
5	Team Monster	Coberly	3	0	0	8
1	Silver Penguins	Lang	2	1	0	6
2	United	Birch	1	0	2	3
4	Nuggets	Kaya	1	0	2	3
3	Golden Eagles	Pagliari	1	1	1	4
6	Chargers	Koscinski	0	0	3	0



REFEREE CORNER

Referee's Corner: Throw-in procedure

By Keith Krasnigor, Referee Administrator

This week it's time to take a look at something very common in soccer, the throw-in procedure. It can however, be a bit confusing for younger players, newer coaches and spectators. So let's take a look.

The throw-in is probably the most common "restart" in soccer. The procedure is covered by Law 15. A throw-in is awarded to a team after the ball has completely crossed over the touchline ("sideline"), last touched by an opponent. For example, if the red team is playing against the blue team, and blue last touches the ball before it leaves the field of play over the touchline, then red is awarded a throw-in. It doesn't matter if blue kicked it out on purpose or not. The referee and/or the assistant referee will indicate which team is awarded the throw-in by raising the arm (or flag) 45° in the direction of the opponent's goal (that is, the direction the team getting the throw-in is attacking).

Yes, sometimes referees or assistant referees get screened out and have to make their best guess, and sometimes get it wrong, but don't worry or get upset. In U8-U14 matches, the throw-in is thrown to an opponent at least half the time anyway! Also, a game at these levels never turns on a throw-in. Of course what many coaches or spectators don't notice (because of their position relative to the play) is that while it might seem clear that red kicked the ball out, it actually took a slight deflection off of blue on its way, so the throw-in goes to red.

The throw-in procedure is pretty simple. The throw is taken from where the ball left the field. The player must face the field, have both feet on the ground *at the moment the ball is released*, must have both feet behind or at least touching the touchline (just the heels would be fine), must begin the throw from behind the head, and must use both hands. There is no requirement that both hands be used with equal force; thus, **spin on the ball is perfectly acceptable**. The ball is in play when it breaks the plane of the touchline. If it enters the field and immediately leaves, the throw is for the other team. If the throw never quite made it into the fields (i.e., hit the ground outside of the touchline) the throw is re-taken. Additionally, the opponent must be at least two yards away from the player taking the throw in...no jumping or screening like basketball!

A violation of the throw-in procedure results in the opponents getting the throw-in. However, in younger divisions, a lot of leeway is given as to what constitutes a "foul throw." Also, in U8 and U10, especially early in the season, do not be surprised to see a referee give a player a second chance after some instruction. Though this is not technically part of the Laws of the Game, it certainly fits within the AYSO philosophy.

Thanks again for your positive support for the kids, coaches and referees! We'll see you on the pitch!

